



Development of new paper bag making machines  
Spare Parts Supply  
After Service and engineers arrangement  
Technical advice for supplied machines  
Consultant for technical solutions and new development

# Paper Shopping Bag Making Machine

## SPECIAL VERSION

Special size range can be arranged for Model 127T and 128T with twisted or flat handle.



### 127T

Specifications (mm)	127T Special	
	504TH	508TH
	Twisted	Flat
Bag Width	180-360	180-360
Bottom Width	70-210	70-210
Bag Length	240-495	240-500
upright for flat	—	240-420
Cut-off Length	300-530	300-550
upright for flat	—	300-550
Speed (Max. bpm)	140	180

### 128T

Specifications (mm)	128T Wide	
	504TH	508TW
	Twisted	Flat
Bag Width	240-460	240-460
Bottom Width	90-210	90-210
Bag Length	240-460	260-580
upright for flat	—	260-510
Cut-off Length	300-530	350-650
upright for flat	—	350-580
Speed (Max. bpm)	140	180



\* Specifications are subject to change without notice.  
\* Speed always depends on conditions.  
\* Photos and drawing are for reference only.

## NEW VERSION



### 148T/148T-2

Specifications (mm)	148T		148T-2
	504TH	518TH	518TH
	Twisted	Flat	Flat
Bag Width	220-540	220-540	320-600
Bottom Width	80-250	80-250	100-220
Bag Length	290-580	290-700	290-680
upright for flat	—	290-580	290-580
Cut-off Length	400-650	400-770	400-770
upright for flat	—	400-630	400-670
Speed (Max. bpm)	120	120	110

**Model 518TH** (Flat Handle Unit) is improved for easier operation on perforation, patch gluing, etc. Handle pressing process is also improved for the bags with unconcealed handles.

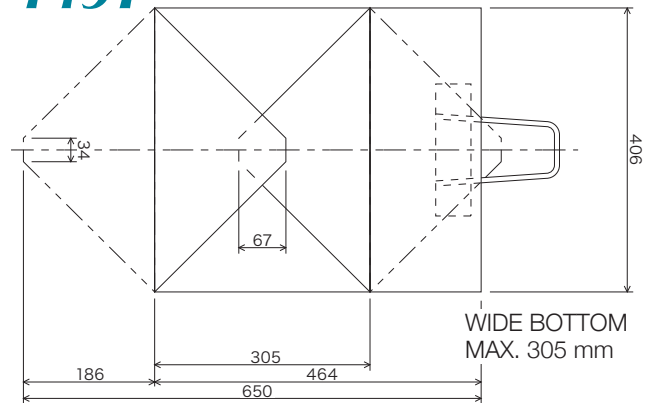
## NEW DEVELOPMENT

### Direct SERVO system **TS7423**

Specifications (mm)	TS7423
Bag Width	100-230
Bottom Width	50-140
Bag Length	185-430
Cut-off Length	230-470



### 149T



Specifications (mm)	149T	
	504TH	518TH
	Twisted	Flat
Bag Width	380-540	380-540
Bottom Width	120-305	120-305
Bag Length	340-570	340-690
upright for flat	—	340-590
Cut-off Length	470-650	470-770
upright for flat	—	470-670
Speed (Max. bpm)	50-120	150



### Grip Handle Die Cut System

can be attached to Model 127T, 136T, TS5525, etc.  
(Note: This system cannot be attached later.)

- \* Specifications are subject to change without notice.
- \* Speed always depends on conditions.
- \* Photos and drawing are for reference only.

**j-tec** J-TEC CO., LTD.

3-1-17-202 Kamiyoga Setagaya-ku Tokyo 158-0098, Japan  
Tel +81-3-6278-7025 Fax +81-3-6278-7020  
URL <http://www.jp-tec.co.jp> E-mail [jtec@jp-tec.co.jp](mailto:jtec@jp-tec.co.jp)